



Neonatal Incubator Filia Series





Neonatal Incubator
Filia Series

When Incubator Encounters Monitor Love Drives Technology

Filia 6000 Infant Incubator is a state-of-the-art neonatal environment that promotes natural, peaceful healing, while fostering a close bond between families and their babies—allowing them to be present for every step of the journey. In the past, incubator and patient monitor works separately, now HOSMED integrated monitoring with nurturing. A more safety and effective incubator with powerful function, artistic outward appearance, and easy operation is now introduced to the world. Additionally, physicians have improved access to their smallest patients, giving them a better chance at providing successful treatment, the very first time around.



A Deeper Love

Neonatal incubator is warming equipment used for providing constant temperature and humidity for treatment of premature infants and critical neonates on the basis of satisfying their physiological characteristics and needs.

Filia 6000 incubator was thoughtfully designed to provides stable temperature and suitable humidity ambient,in addition to configured vital signs monitoring function to promoting the growth and stability of even the most fragile of patients.

Incubator System

To research and develop one of the world’s leading incubator, HOSMED has always target top level products as its competitor. “Whatever the mind can conceive and believe you have the ability to achieve.” Overcoming lots of difficulties and fighting for contineous 720days, Filia 6000 incubator provides stable temperature, suitable humidity and O2 consentration to newborn in the whole journey.

Temperature control Technology

Two- way incubator temperature detection

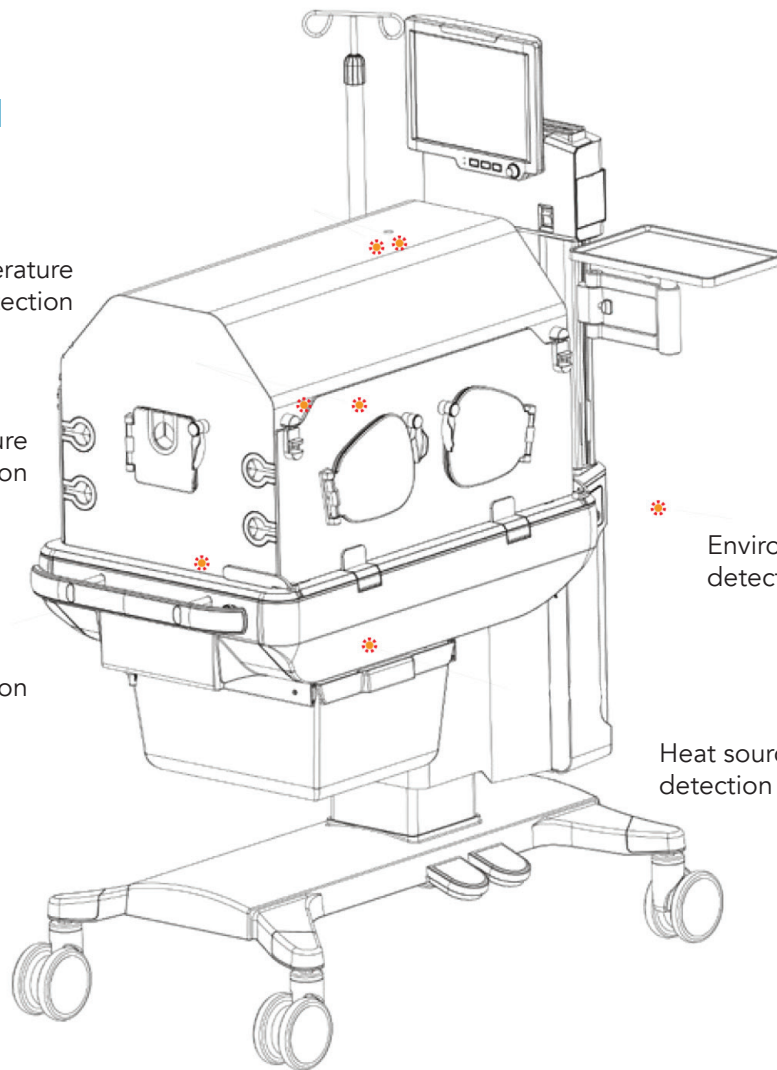
Two- way infant temperature detection

Bed temperature detection

Environment temperature detection

Heat source temperature detection

7 channels temperature collection



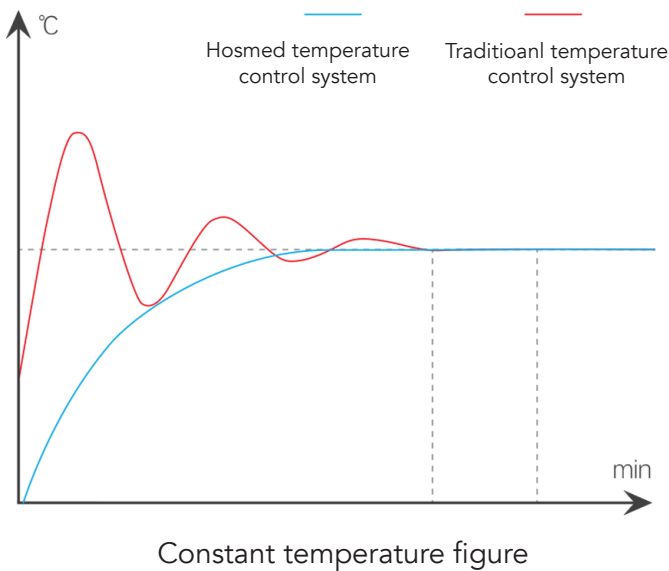
Appropriate temperature inside the incubator can reduce neonates'loss of water and to reduce their risk of dehydration, Filia 6000 double guarantee the control of temperature through 7 channels of detection.

Intelligent Variable Resistance Heating Technology

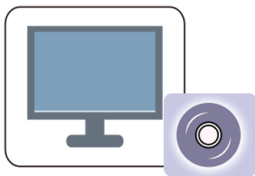
Thanks to dual resistive heating tube and fin-style radiator, Filia 6000 shorten heating time of the incubator ≤ 35 mins with its control system, which saves time in emergency treatment of preterms, in addition, temperature fluctuation is significantly reduced to 0.3° .

Advanced air circulation: Dule inlet and out let Symmetrically

A more confortable environment with stable temprature and suitable humidity ambine is within reach.



Constant temperature figure



System protection

When temperature inside the shelf exceeds limits, heating instrument will stop heating automatically after detection by the control system



Hardware protection

A sensor is applied to control temperature through sending signals to heating instrument

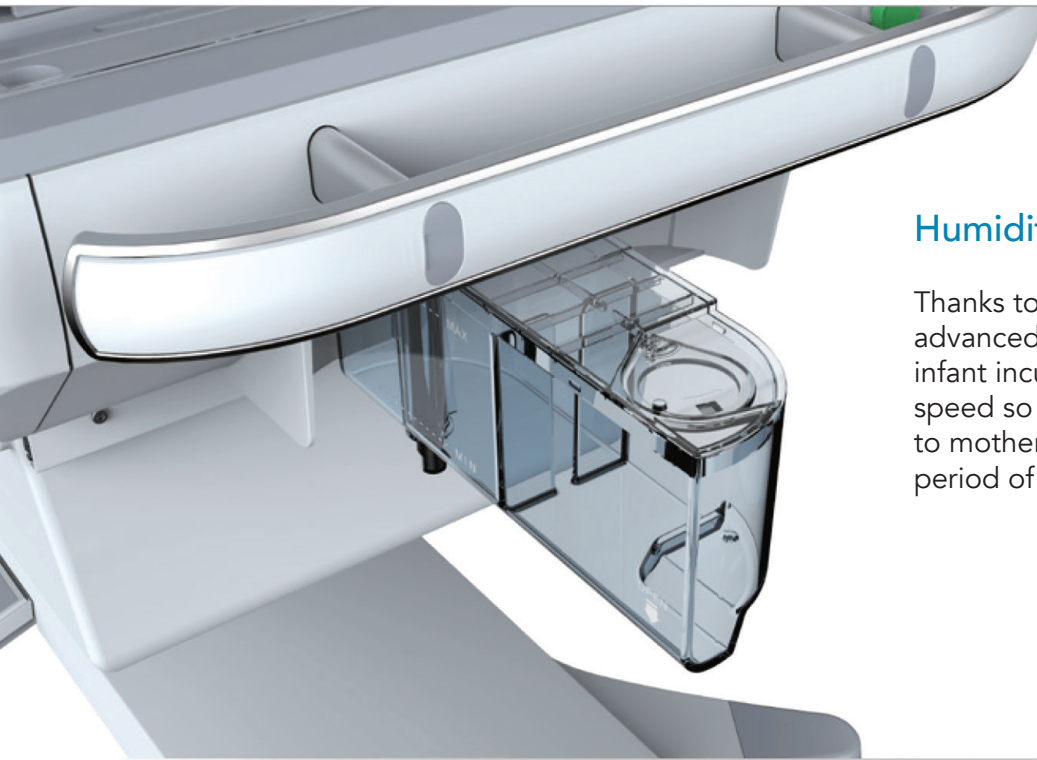
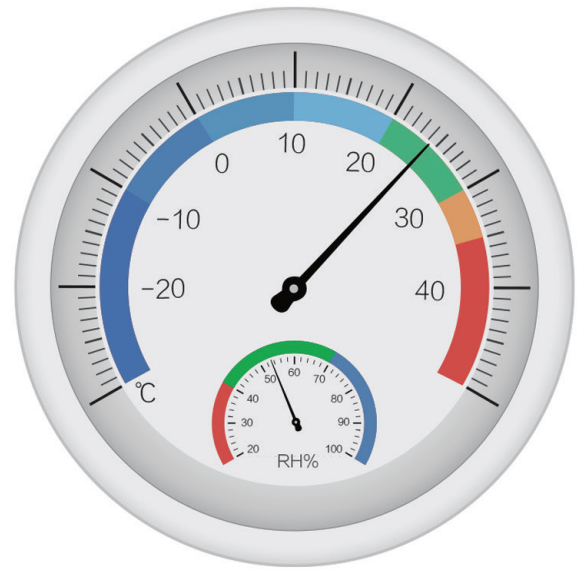


Mechanical protection

A mechanical over temperature switch is used to prevent over temperature based on its high-temperature deformation characteristics

Humidity control technology

Thanks to PWM control technology and advanced humidity generator, the Filia 6000 infant incubator provides fast wetting speed so that a environment similar to mother's womb is created in a short period of time.



Humidity control technology

Thanks to PWM control technology and advanced humidity generator, the B8 infant incubator provides fast wetting speed so that a environment similar to mother's womb is created in a short period of time.

Oxygen concentration control technology

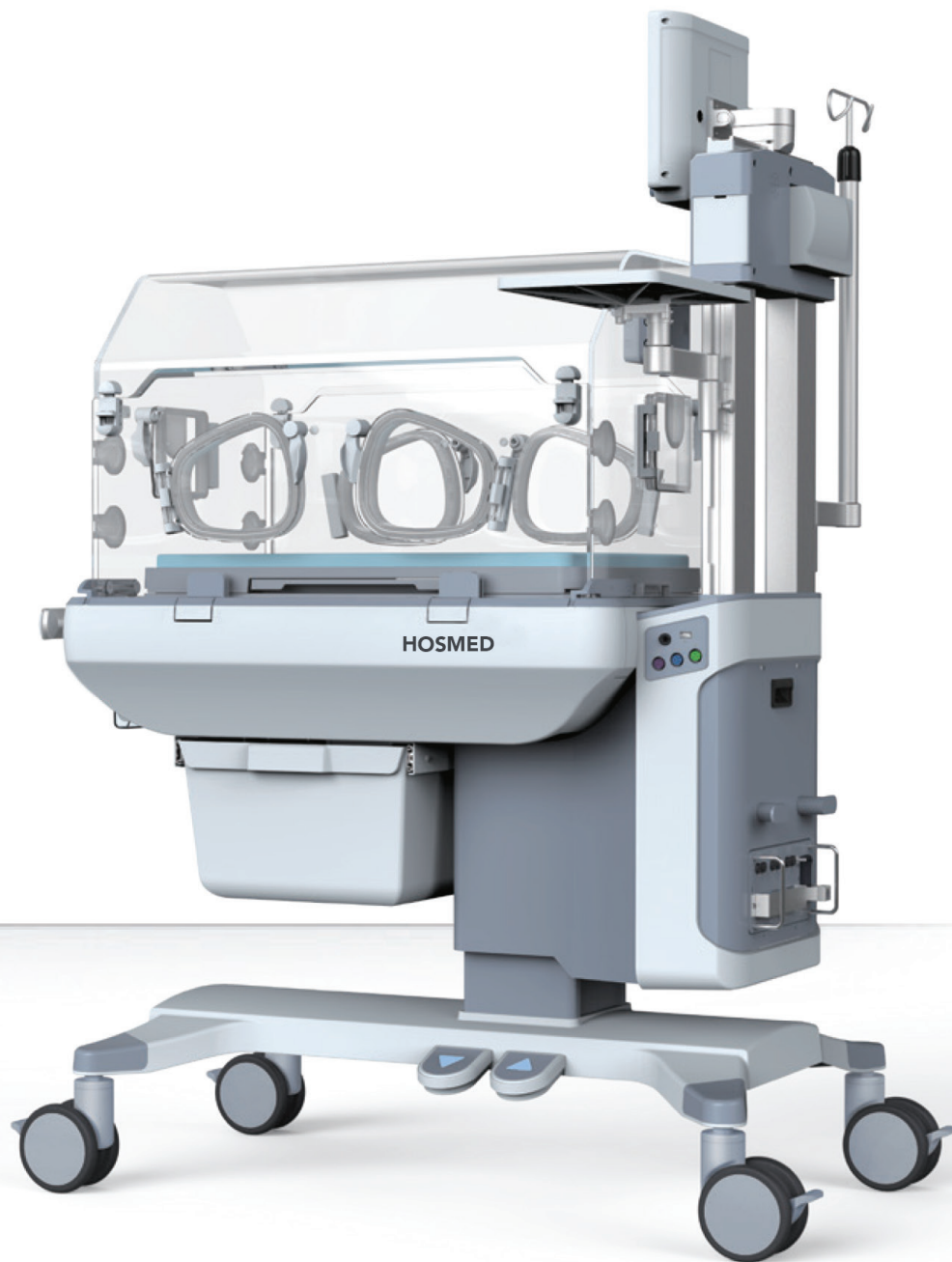
Servo Oxygen Supply: According to air- O₂ distribution standard and O₂ concentration adjustment Filia 6000 infant incubator provides advanced close- loop feedback technology.

One- press O₂ concentration calibration. Thanks to Hosmed patented technology-- two- point calibration (21% and 100%), O₂ concentration detection precision reaches to $\pm 2\%$, higher than other brands

Material

The transparent shelf is made of food-level Perspex materials with high transparency, safety, and environmental friendly characteristics.

The bed adopted nature color and environmental friendly ABS materials, more safe and more reliable,improving confort.



Specialized Neonatal Monitoring System

Specialized Neonatal Monitoring System is a tailored system that created for NICU by HOSMED, including ExNeo® ECG technology, Adap- DSP® self- adapt NIBP technology, Masimo SPO2, Apnea self- rescue technology, and oxygen concentration detection function. And it is equipped with biocompatible specialized neonatal accessories.

It not only ensures the correctness of ECG collection and NIBP measurement, but also solves the problem of neonatal respiratory distress syndrome, this system was used in the world first specialized neonatal monitor- Filia 6000.



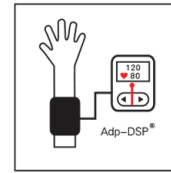
Masimo SET Neonate SpO2 Technique

People has made lots of trails in improving the detection sensitivity of pulse and SpO2 value of neonates on the condition that their blood perfusion and cardiac output are extremely lower. The standard perfusion technology developed by Massimo is able to read at least 1/10 lower of blood perfusion than traditional pulse oximeter. Massimo SET performance on anti- interference is also outstanding. At present, the majority of NICU rooms have equipped with two or three high- end Massimo's SPO2 monitor to meet their need of critically ill patients. Equipped with all kinds of clip and probes, it is suitable for babies of different size.



Apnea self- saving Monitoring

Apnea is the most common symptom of the newborns, and also a serious problem in NICU room. If not treated in time, it will cause the neonates oxygen-starved for long time, which may cause brain damage of the neonates and have great impact on their mental development. What's worse, it can cause neonates death under serious situation. Apnea self- saving monitoring can monitor newborns breathing in various ways and stimulate the nurse to flap their arch to arouse their breath.



ExNeo® Neonate ECG Measurement Technique

Due to the big difference between ECG signal of neonates and adults, ECG measurement technology has long been a difficult problem faced with neonatal monitoring workers, in addition, newborns' crying and struggling during ECG testing make this issue even worse. So it is difficult for traditional monitor to provide accurate ECG measurement data for neonates. Based on the feature that neonates' fast heart rate change, ExNeo® ECG measurement technique focus on improving ECG signal acquisition sensitivity and signal resolution ratio to get rid of neonates moving interference at the utmost, so that to guarantee ECG measurement accuracy and breathing rate test accuracy

Adap- DSP® Adaptive Signal Processing Technology

Due to the big difference between ECG signal of neonates and adults, ECG measurement technology has long been a difficult problem faced with neonatal monitoring workers, in addition, newborns' crying and struggling during ECG testing make this issue even worse. So it is difficult for traditional monitor to provide accurate ECG measurement data for neonates. Based on the feature that neonates' fast heart rate change, ExNeo® ECG measurement technique focus on improving ECG signal acquisition sensitivity and signal resolution ratio to get rid of neonates moving interference at the utmost, so that to guarantee ECG measurement accuracy and breathing rate test accuracy



Masimo SpO2

Use Masimo SpO2 technology, Specialized neonatal suffocation self- saving function equipped with oxygen density monitoring function.



Apnea Self- save Probe

Filia 6000 has a probe that wrapped under the infant's foot to stimulate neonates to resume breathing. Abdomen attached respiration sensor : Neonates conduct abdominal breathing. Attach the sensor to the abdomen, obvious abdomen up and down movements squeeze the sensor and transforms respiratory signals to electric ones for the system to collect and identify.



Neonatal ECG Cable and Electrodes

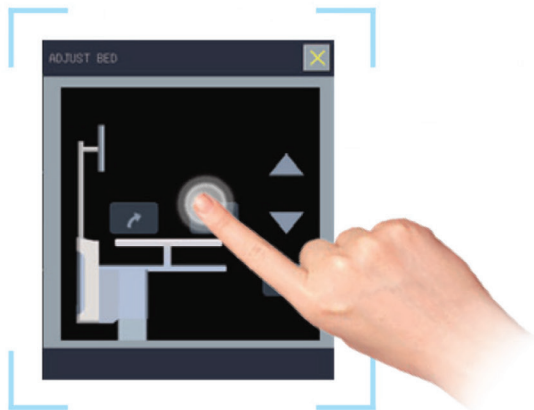
Neonatal ECG cable and electrodes have passed biological compatibility.



Neonatal Monitor Protection

Various specification of neonates NIBP cuffs to guarantee measurement accuracy of different size of newborns

Neonatal Incubator Filia Series

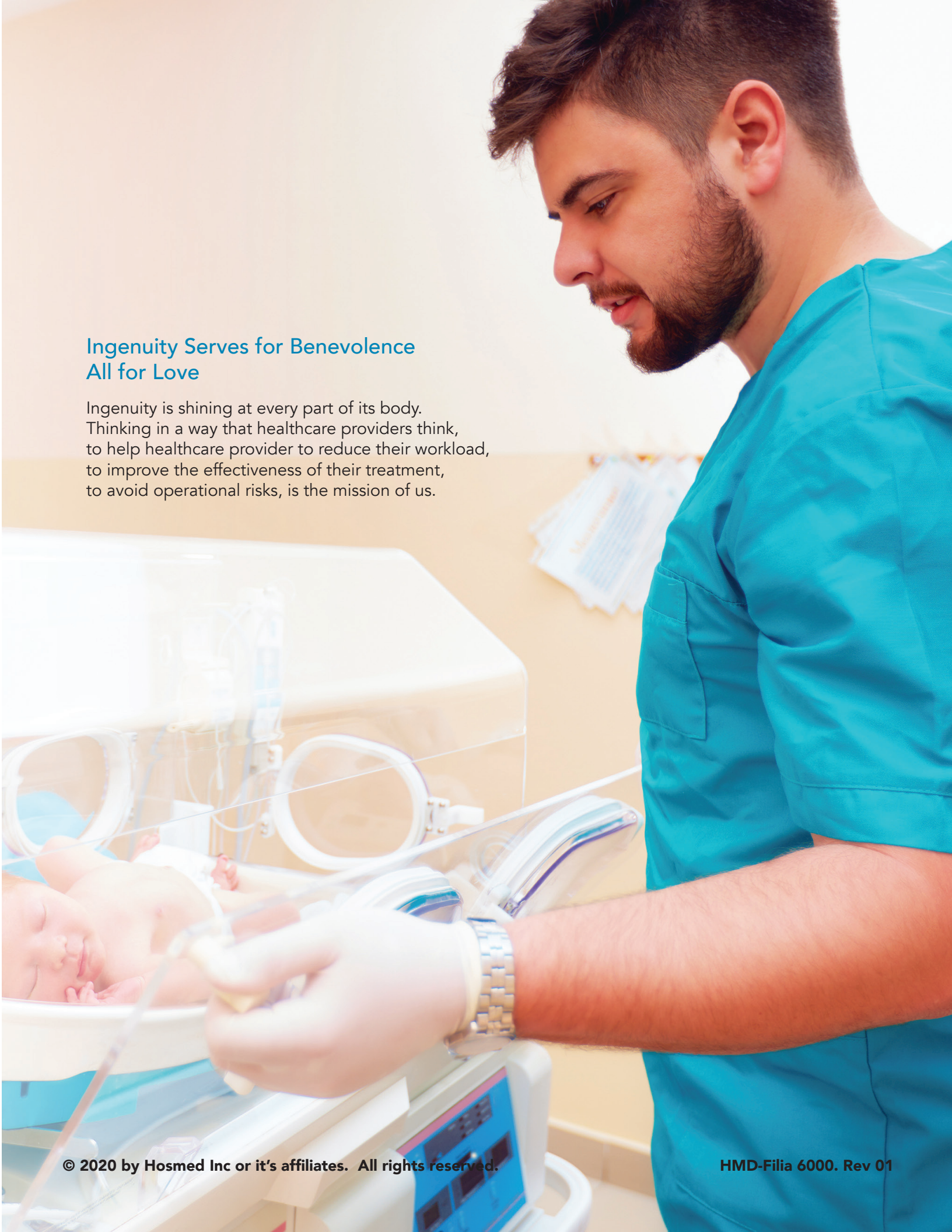


Intelligent Adjustment

Adjustable bed tilted angle support ,
touch screen control.

Electric Lift

Auto up- lifting of the incubator .
Pedal and touch screen dual operation

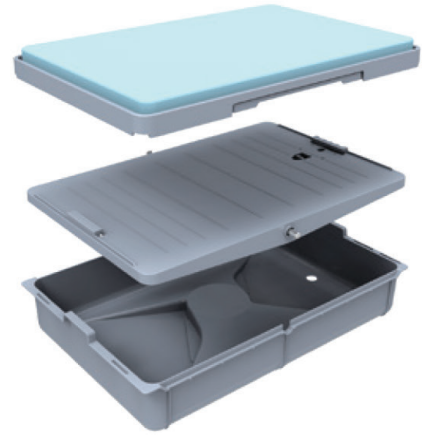
A healthcare professional with a beard, wearing teal scrubs and white gloves, is focused on adjusting a device on a baby lying in a neonatal incubator. The baby is lying on its back, and the professional is using a tool to adjust a component of the incubator's control panel. The background is a clean, clinical setting with a light-colored wall and some papers pinned to it.

Ingenuity Serves for Benevolence All for Love

Ingenuity is shining at every part of its body. Thinking in a way that healthcare providers think, to help healthcare provider to reduce their workload, to improve the effectiveness of their treatment, to avoid operational risks, is the mission of us.

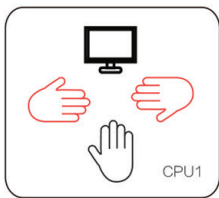


Unarmed disassemble of beds and sink to realize through cleaning and disinfection. The air circulation system can be thoroughly cleaned without removing the temperature control system and the heating equipment.



Four independent CPU

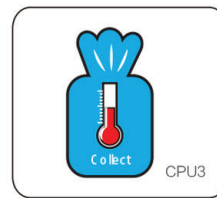
Four independent CPU system, these are human-machine interaction, alarm system, temperature collection and thermoregulation, each system works independently without interference to each other, when one CPU fails, it won't affect other CPU systems.



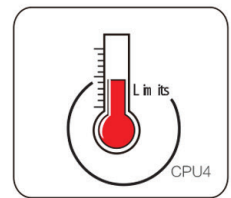
Human-machine interaction



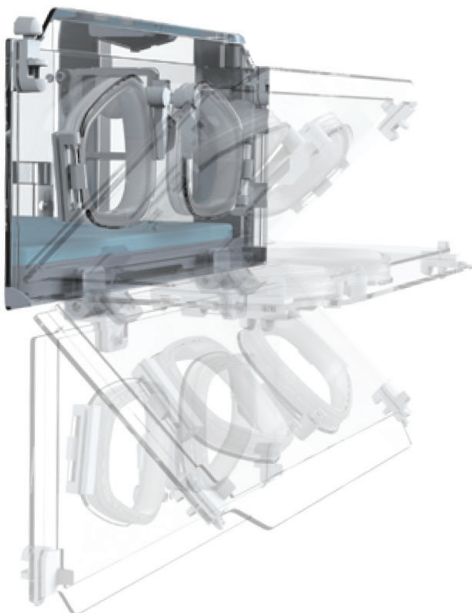
Alarm system



Alarm system



Thermoregulation



Integrated design of monitor and incubator

- Easy to manage equipments . Integrated design is able to avoid risk of monitor falling off.
- Neonatal specialized monitoring to avoid mistake operation of the monitor.
- The true realization of the integrated transport monitor and incubator.
- Adopting damping design on the left and right access panel, easy to open and close. Slowly falling of the panel is able to get rid of hitting the incubator, creating a calm zone around the neonates.



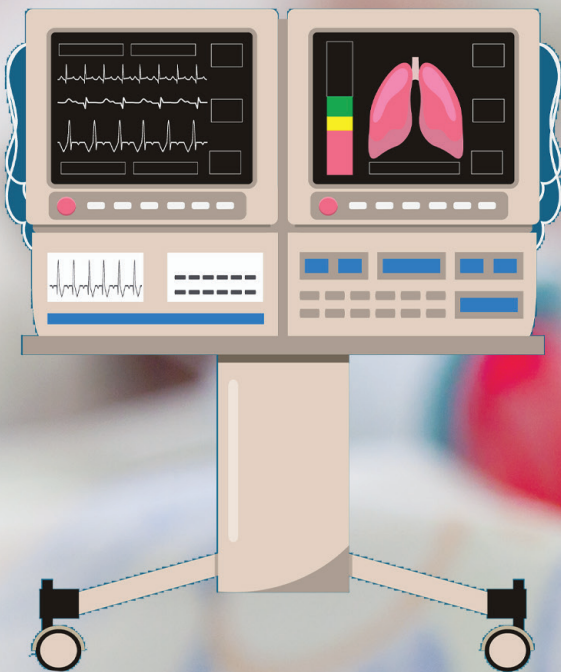
Human-Machine interaction

12.1 inches LED touch-screen, key board with backlit and touch operation, Screen angel adjustable, easy for observation.

Patient Case Management

Built- in 50mm thermal recorder, information such as vital parameters and incubator environment could be recorded.

Wired/wireless central monitoring system, automatic save and record infants' vital parameter and incubator parameters.



Love Protects
Babies Health
Love Accompanies
Babies Growth

Hosmed constantly integrates creative technology to the design and development of products, it developed from a simple manufacturer of medical devices to a provider of comprehensive medical solution, and developed a new generation of neonatal monitoring system for NICU solution.

HOSMED never stop in the path of protecting human health.

NICU Comprehensive Solution

Based on the advantage of monitoring field, HOSMED now has the first specialized neonatal monitor in the world, neonatal non-invasive ventilator with integrated non-invasive ventilation solution, all in one radiant rescue station, ceiling beam/pendant, air-oxygen blender, bubble CPAP, infusion workstation etc., to create the most professional NICU comprehensive solution.



Neonatal Incubator



Neonatal Ventilator



Specialized Neonatal Monitor



Ceiling pendant



Infant Radi ant Warmer



Infusion Workstation



Oxygen and Air Blender



3403 NW 82nd Avenue. Suite #102.
Doral, Florida 33122. USA
www.hosmed-inc.com